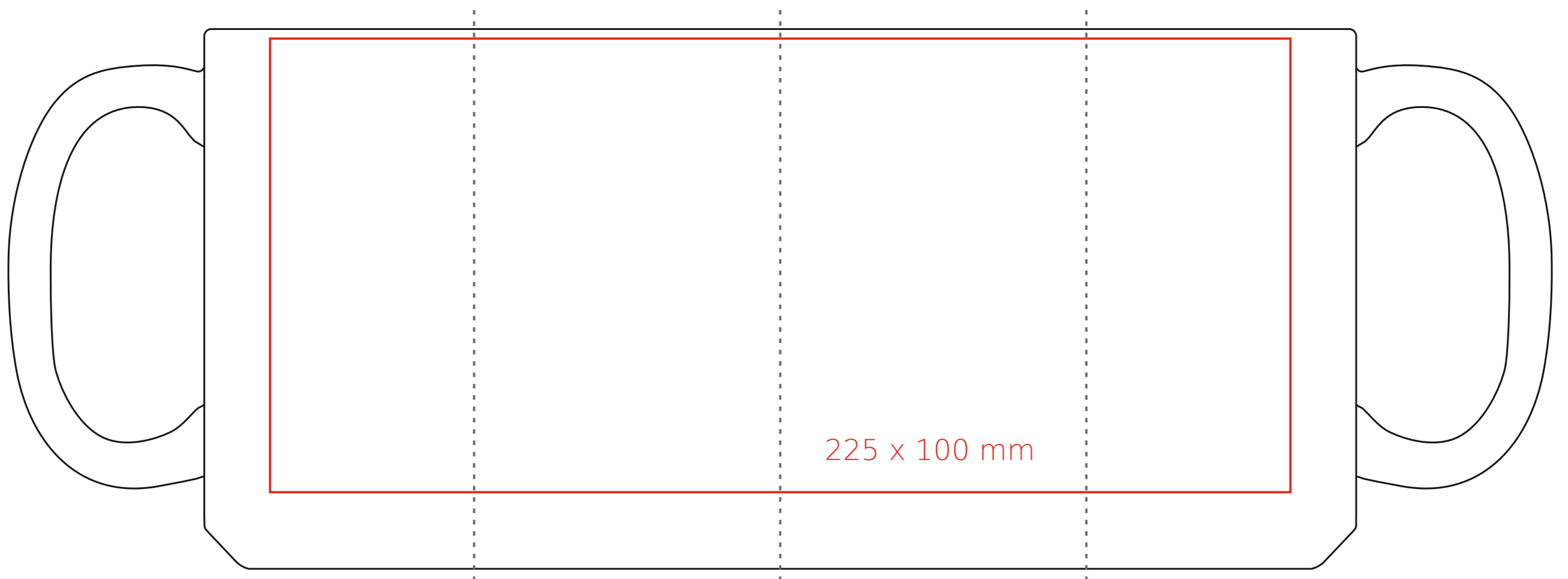


M_554 Nevada Art.

450 ml / h: 119 mm / Ø 86 mm



[How to prepare print material](#)

meaning

— Sublimation printing